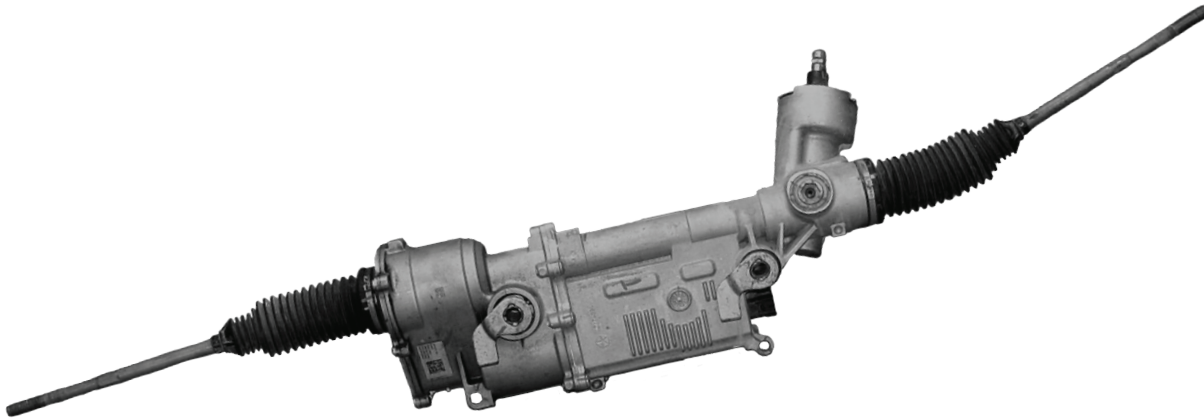


1st TO MARKET



TransTec® EPS Rack and Pinion seal kit **80R033** is now available.

MAKE	MODEL	ENGINE TYPE/ SIZE	LH/RH DRIVE	MARKET	YEARS
RAM	1500	ALL	LH	Global	2013-2016

Features and Benefits

- Genuine NOK upper pinion seal included in kit
- New OE grade drive housing gasket is also provided
- Retainers can become lost or damaged during disassembly. Kit contains new retainers for pinion cover and rack spacer.

Kit number **80R033** is in stock and ready for immediate shipment.

Call your Freudenberg-NOK customer service representative to place an order today!

a brand of

FREUDENBERG-NOK