

NEW PRODUCT ANNOUNCEMENT

NPA 12, 7/02

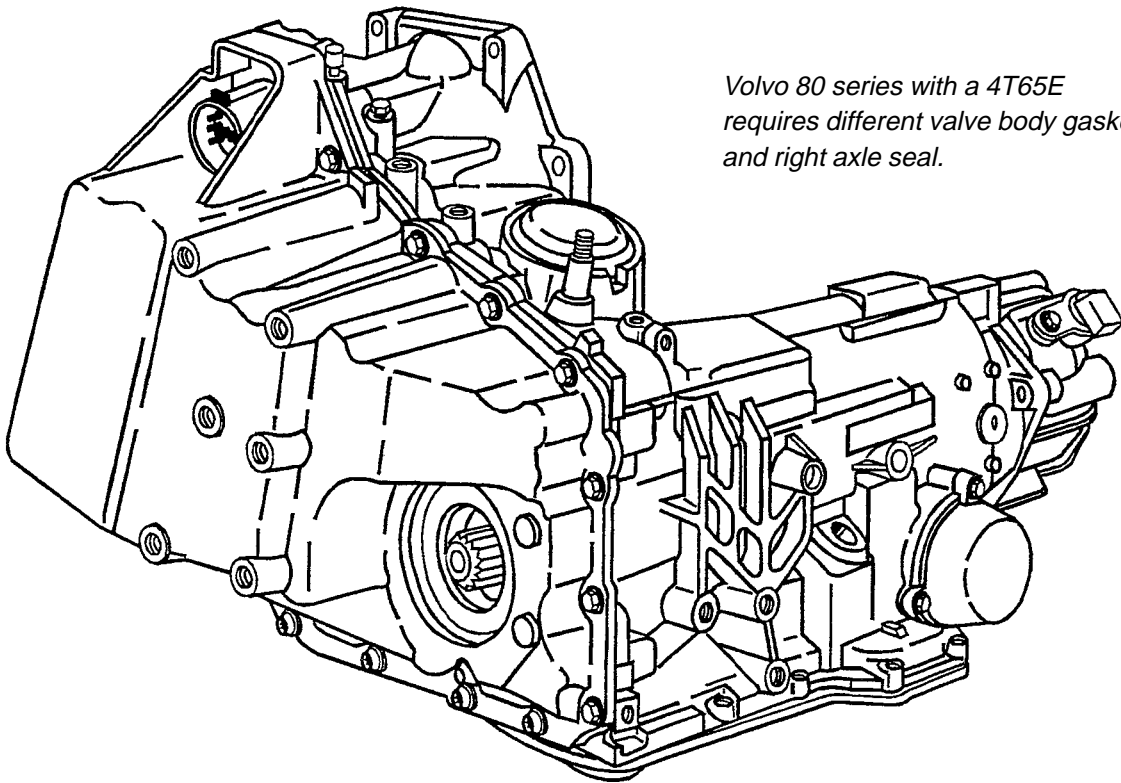
Volvo 4T65E Valve Body Gaskets

TransTec Kit #4752

In 1999 the Volvo 80 series was available with a 2.5L L6 engine coupled to a 4T65E transmission. The Volvo 4T65E transmission requires a different set of valve body gaskets than the normal domestic version, as well as a different right axle seal. Although the right axle seal is readily available from Volvo dealerships, the valve body gaskets are not.

In light of this information, TransTec is pleased to announce the availability of valve body gaskets to cover the 1999-up Volvo 80 series with the 4T65E transmission. TransTec kit #4752 contains the valve body to separator plate gasket (#36096), as well as the separator to case cover gasket (#36097).

We are not stocking the right axle seal since it is available from Volvo dealers under part #S445681.



*Volvo 80 series with a 4T65E
requires different valve body gaskets
and right axle seal.*

Drawing courtesy of ATSG.