



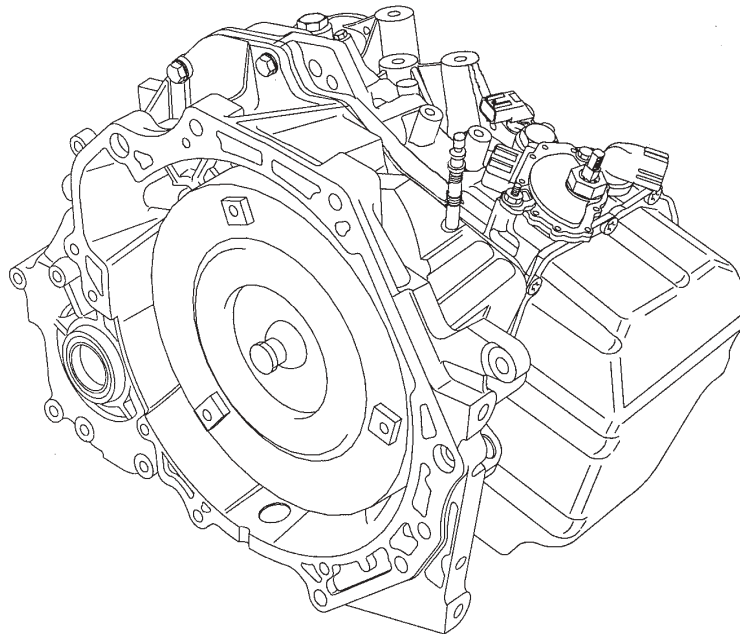
New Product Announcement

AISIN WARNER AW55-50SN

TransTec is pleased to announce the availability of overhaul kit **#2455**. This kit covers the Aisin Warner AW55-50SN five speed front wheel drive unit. This unit is used in several vehicles including both the Nissan Maxima and Quest high line SE models under the Nissan designation of RE5F22A.

Saab started utilizing it in 2002 with its 9'5 model and added it as an option in 2003 to its 9'3 models. Saturn used this unit in 2002-up Vue with the V6 engines and the 2003-up Ion sedan under the AF23/33-5 designation with the AF23-5 used behind 4 cylinder applications and the AF33-5 used behind the V6 engines. Volvo used this unit in 2002-up 40 series, 2001-up 60/70series, 2004-up 80 series, and 2003-up 90 series.

TransTec kit #2455 is in stock and available for immediate delivery.



11617 State Route 13
Milan, Ohio 44846
Phone: 419-499-2502
FAX: 419-499-6099
www.transtec.com/
www.corteco-na.com

© 2005 Corteco

NPA 0502