



New Product Announcement

Toyota U150E/151E 2002-up

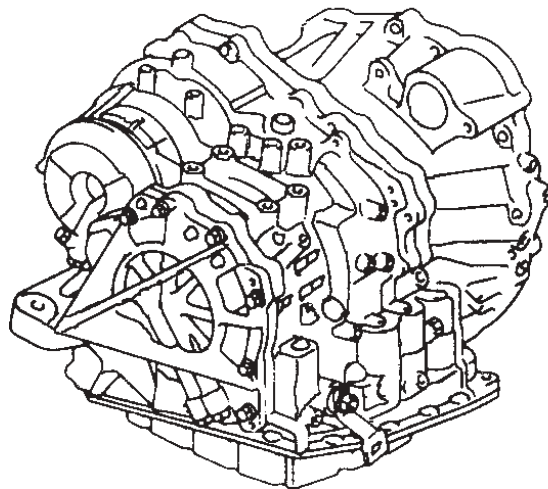
TransTec is pleased to announce the availability of a new overhaul kit # **2447** for the 2002-up Toyota U150E/151E.

Both of these units are 5 speed front wheel drive, and can be found in:

2002-04 Lexus ES300, 2004-05 ES330, RX330, 2003-05 Toyota Camry,
2004-05 Highlander, Sienna, and Solara.

TransTec kit # **2447** does not include parts for the transfer case on the all wheel drive applications with a designation of U151F. However, these parts are offered separately in TransTec kit # **4918**.

This kit is also available with a Duraprene® pan gasket: TransTec #**DP2447**.



All TransTec® Overhaul kits contain genuine OEM NOK seals, "O" rings, sealing rings, "D"-rings and molded seals, as well as premium paper and cork/Duraprene products.

Both kits are in stock and available for immediate delivery!



11617 State Route 13
Milan, Ohio 44846
Phone: 419-499-2502
FAX: 419-499-6099
www.transtec.com/
www.corteco-na.com

© 2005 Corteco

NPA 0506