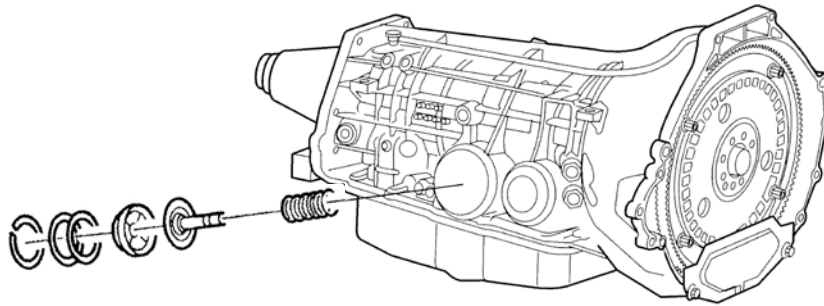


New Product Announcement

5R55W/S

CORTECO is pleased to announce the availability of the 2.810" diameter (apply diameter) intermediate molded servo piston for 2002-up 5R55W/S units. This servo piston can be purchased by ordering TransTec® number **B82297**; OEM number 1L2Z-7D021-CA.



Kits are in stock and available for immediate shipment.



A Division of Freudenberg-NOK