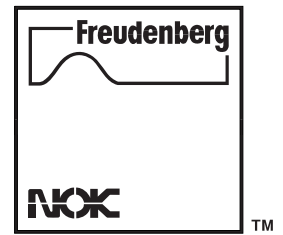
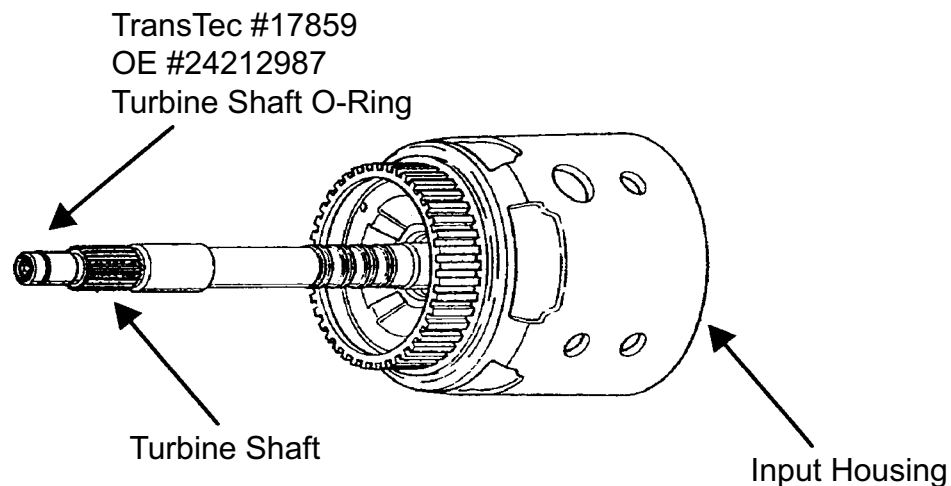


Transtech **Bulletin**



**Application: 4L60E 1998-up Turbine Shaft Seal, TCC
Camaro / Firebird / C&K Truck 2nd Design**

1998-up Camaro and Firebird models with the LS1 aluminum V-8 engine and the new generation Silverado and Sierra now use a larger o-ring for the turbine shaft. TransTec #17859 (OE #24212987), which is reddish brown in color, will be added to all gasket sets and overhaul kits with a date code of B00 or later.



TB 3 2/00

Visit our website at www.transtec.com