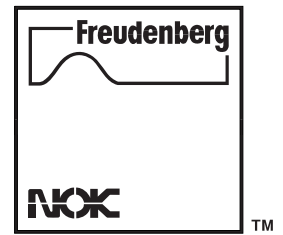


# TransTechnical Bulletin

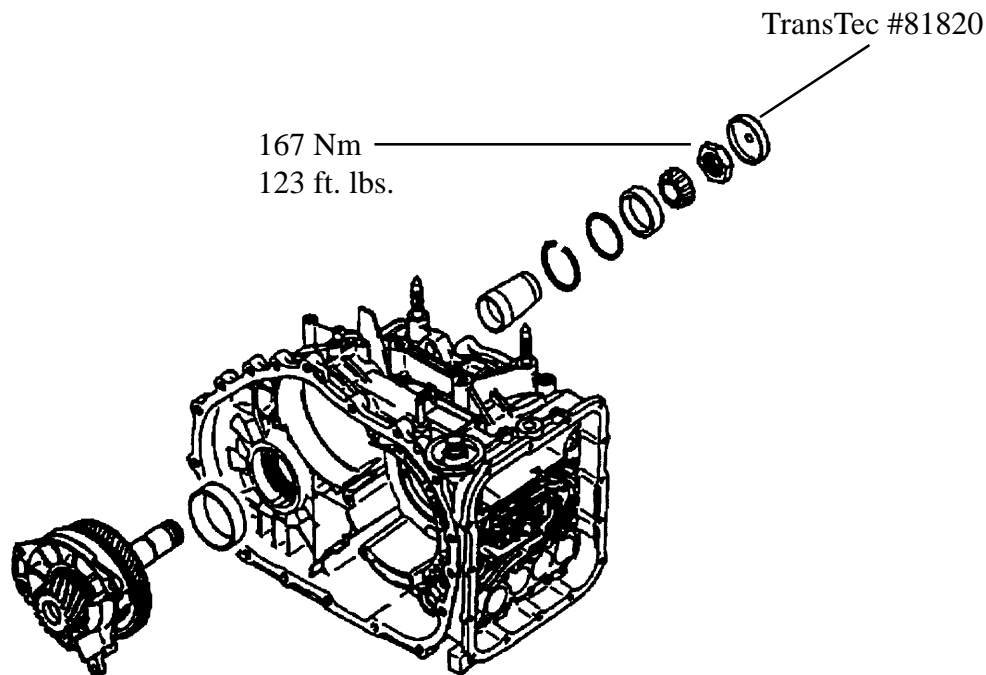


**Application: 1996-Up Mitsubishi**

**Subject: F4A41/42, F4A51 Output Pinion Shaft Bonded Cover**

TransTec will be adding the output pinion shaft end cover seal to the Mitsubishi F4A41/42 and F4A51 overhaul kits. This cover fits all three applications and is usually destroyed when disassembling the units.

TransTec #81820, Mitsubishi #MD758173, will be added to kits with a date code of L00 or later. This item will also be available for bulk sales.



Visit our website at [www.transtec.com](http://www.transtec.com)

TB 13 11/2000