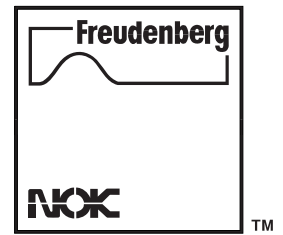
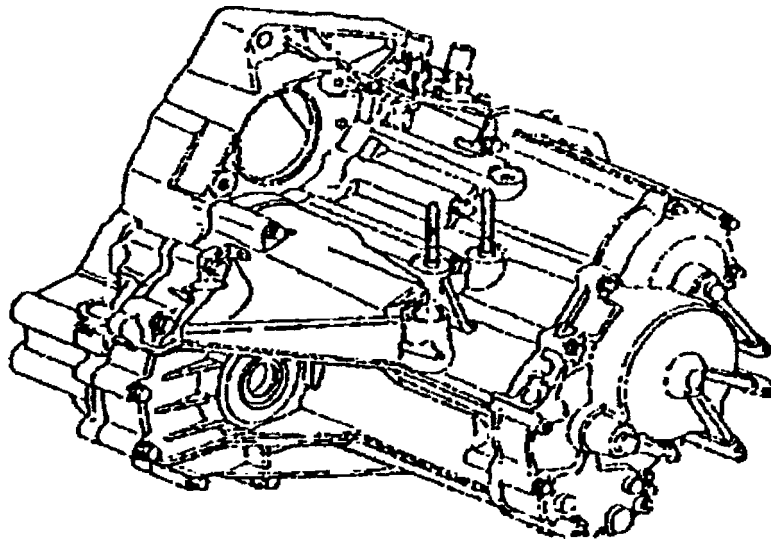


# ***Transtech*** **Bulletin**



**Application: 2000 Acura Integra**  
**Subject: SKWA Model**

The 2000 Integra received a new transmission with a designation of SKWA. TransTec's existing overhaul kit #2288 with a date code of M00 and later has been updated to cover the SKWA model.



TB 18 12/2000

Visit our website at [www.transtec.com](http://www.transtec.com)