

## Bulletin

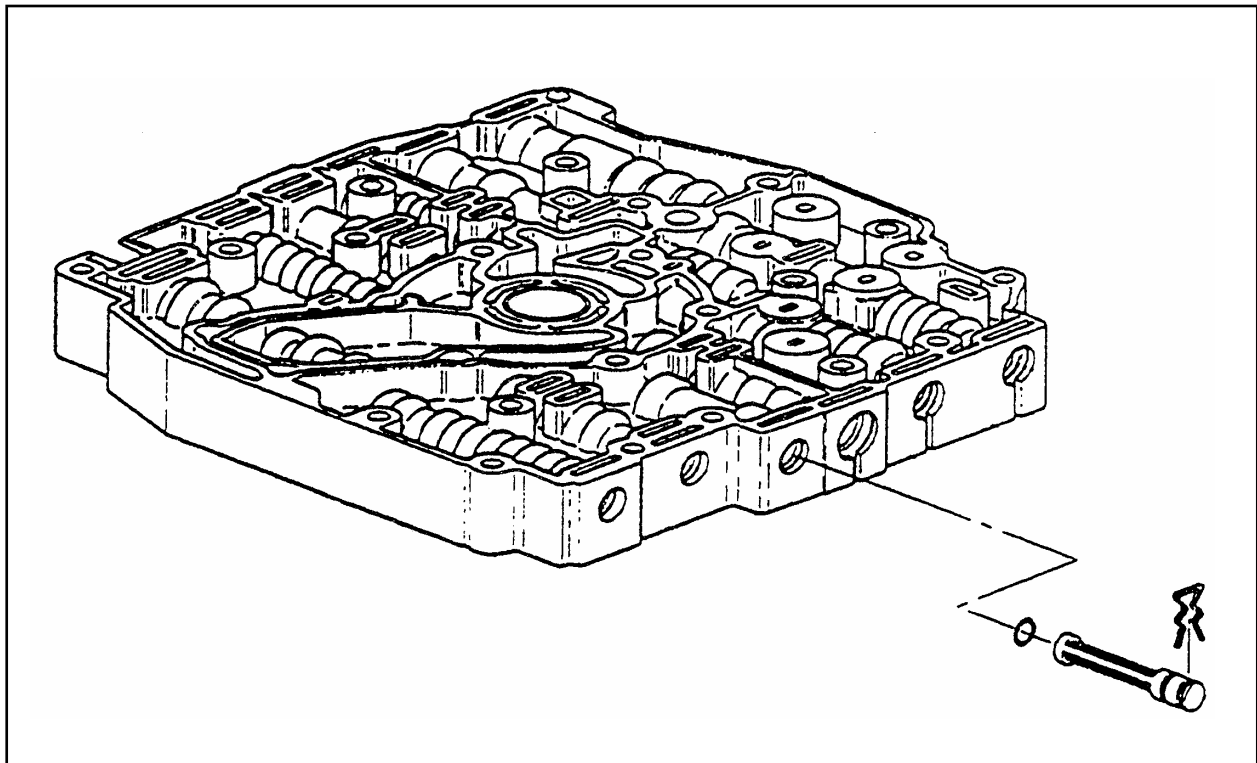
**Application: GM 4T40E**

**Subject: Valve Body Filter Screen Now Available**

As a value-added convenience to rebuilders, we are now supplying the actuator oil filter with O-ring for the 4T40E valve body. The filter screen is now included in TransTec rebuild kits for the 4T40E, as well as in bulk under part number 87162.

With the advent of solenoids, it is critical to replace these filters because they are prone to ripping, tearing and becoming blocked with debris.

All TransTec kits with a date code of **G03** and later contain the filter screens.



TB9 7/03