

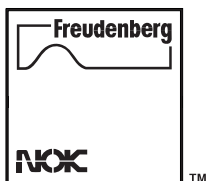
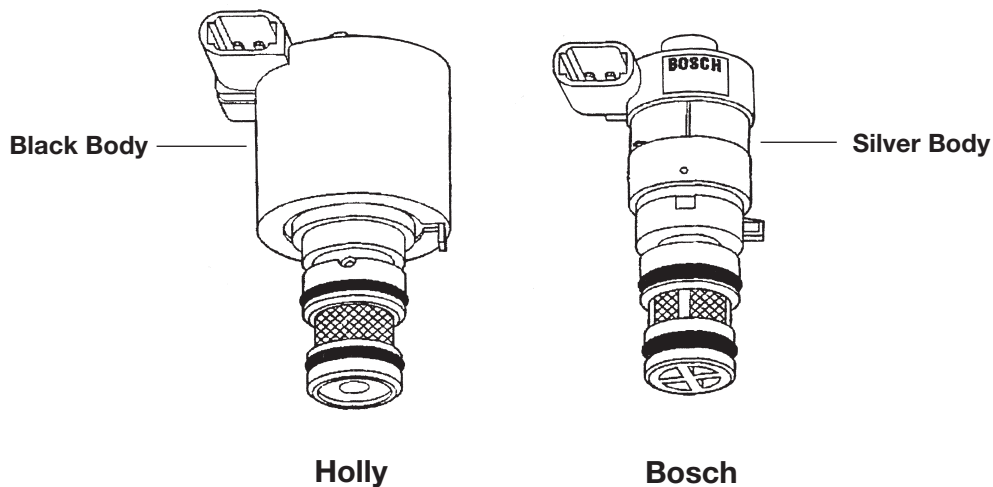
TRANStec[®] Technical Bulletin

Application: General Motors 4T65E

Subject: Electronic Pressure Control Solenoid (EPC) O-rings

In 2003 General Motors went from a Holly designed EPC solenoid to a Bosch design solenoid. The new Bosch solenoid required thicker o-rings than the previous Holly solenoid. All 4T65E TransTec[®] kits contain both sets of o-rings.

Please see illustration below for solenoid identification.



11617 State Route 13
Milan, Ohio 44846
Phone: 419-499-2502
Fax: 419-499-6099
www.TransTec.com