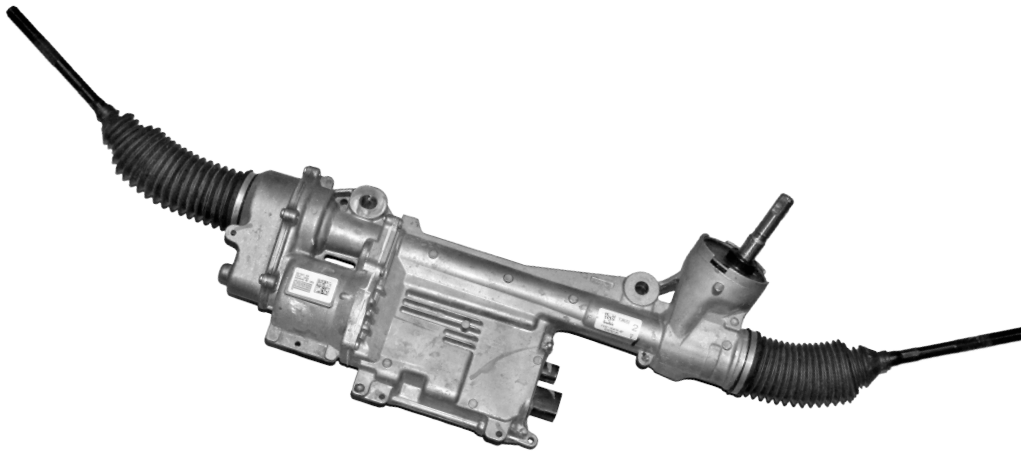


## EPS RACK AND PINION SEAL KIT

1<sup>ST</sup> TO MARKET



TransTec® EPS Rack and Pinion seal kit **80R035** is now available

MAKE	MODEL	ENGINE TYPE/ SIZE	LH/RH DRIVE	MARKET	YEARS
FORD	MUSTANG	ALL	LH	NORTH AMERICA MEXICO EUROPE	2011-2017

### Features and Benefits

- Genuine NOK upper pinion seal included in kit
- New OE grade drive housing gasket included in kit
- Kit contains new pinion cover retainer in case of loss or damage during disassembly

Kit number **80R035** is in stock and ready for immediate shipment

Contact your Freudenberg-NOK customer service representative to place an order today!

a brand of

**FREUDENBERG-NOK**