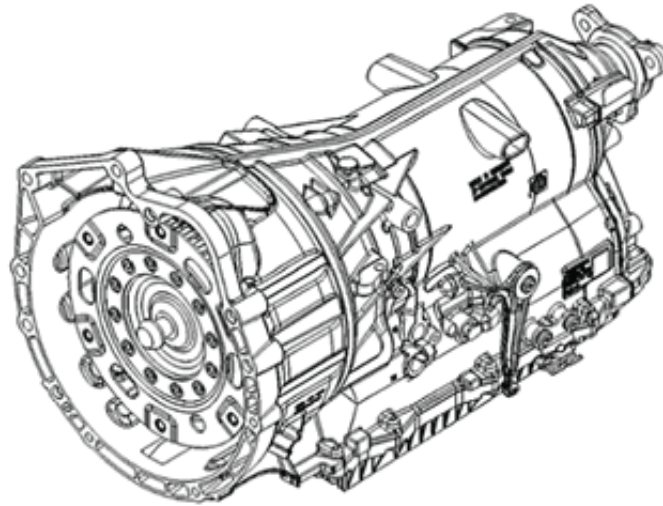


New Product Announcement

ZF8HP45/845RE O/H Kit with Pistons



Now available TransTec® overhaul kit **2616** which services the ZF RWD/AWD 8-speed HP45 / 845RE transmission. Kit **2616** includes bonded pistons and is found in the following models.

MAKE	MODEL	ENGINE TYPE/SIZE	YEARS
AUDI	Q7	V6 3.6L	10-11
BMW	1 SERIES	L4 1.6L 2.0L L6 3.0L	12-UP
BMW	2 SERIES	L4 2.0L L6 3.0L	13-UP
BMW	3 SERIES	L4 1.6L 2.0L L6 3.0L	12-UP
BMW	4 SERIES	L4 2.0L L6 3.0L	13-UP
BMW	5 SERIES/FT	L4 2.0L L6 2.5L 3.0L	10-UP
BMW	6 SERIES	L6 3.0L	13-UP
BMW	7 SERIES	L6 3.0L	13-UP
BMW	X1	L4 2.0L L6 3.0L	11-UP
BMW	X3	L4 2.0L L6 3.0L	11-UP
BMW	X5	L6 3.0L	13-UP

MAKE	MODEL	ENGINE TYPE/SIZE	YEARS
BMW	X6	L6 3.0L	12-UP
BMW	Z4 ROADSTER	L4 2.0L	12-UP
CHRYSLER	300 SERIES	V6 3.0L 3.6L	11-UP
DODGE	BARRACUDA	V6 3.6L V8 5.7L 6.4L	14-UP
DODGE	CHARGER	V6 3.6L	12-UP
DODGE	DURANGO	V6 3.6L	12-UP
DODGE	PICKUP/RAM 1500	V6 3.0L 3.6L	13-UP
JEEP	GRAND CHEROKEE	L6 3.0L V6 3.0L 3.6L	11-UP
JEEP	WRANGLER	L4 2.8L V6 3.6L	12-UP
LAND ROVER	DISCOVERY (LR3)	L6 3.7L	10-11
VW	AMAROK	L4 2.0L V6 3.6L	12-UP

Featured Sub Kits and Components

TransTec® Number	Description	Years
3573	Sealing ring kit	10-UP
4438	Bonded piston kit	10-UP
B33468	Molded rubber pan gasket	10-UP
B37048	Rear seal - 2WD	10-UP
B37049	Rear seal-AWD	10-UP
B37051	Yoke spline seal	10-UP
B37243	Converter seal	10-UP